

PS-FL7

SERVICE MANUAL

US Model
AEP Model
UK Model
E Model



SPECIFICATIONS

Turntable

Platter	29 cm (11½ in.), aluminum-alloy diecast
Motor	Linear torque BSL (brushless and slotless) motor
Drive system	Direct drive
Control system	Quartz lock control system
Speed	33⅓ rpm, 45 rpm
Wow and flutter	0.03% (WRMS)*, 0.035% (WRMS)
Signal-to-noise ratio	75 dB (DIN-B)
Automatic system	Lead-in, return, reject, repeat, tonearm up/down, record size selection
Load characteristics	0% up to 1.5g tracking force (at lead-in groove of a record)
Speed deviation	Within ±0.003%

Tonearm

Type	Linear tracking tonearm
Pivot-to-stylus length	75 mm (3 in.)
Tracking error	±0.1°
Tracking force adjustment range	1.25 ±0.25 g
Cartridge	plug-in type, 6 g

General

Power requirements	120 V ac, 60 Hz (US model) 220 V ac, 50/60 Hz (AEP model) 240 V ac, 50/60 Hz (UK model) 110–220 V, 120–240 V ac, 50/60 Hz (E model)
Power consumption	10 W
Dimensions	Approx. 430 × 96 × 382 mm (w/h/d) (17 × 3⅞ × 15¼ in.) including projecting parts and controls
Weight	Approx. 7.5 kg (16 lbs 9 oz), net Approx. 9.3 kg (20 lbs 8 oz), in shipping carton


Cartridge VL-45G (supplied only with partial US model)

Type	Moving magnet
Frequency response	10 Hz to 20 kHz
Channel separation	23 dB at 1 kHz
Output voltage	3.5 mV at 1 kHz, 5 cm/sec., 45°
Load impedance	47 to 100 kilohms
Tracking force	1.0 to 1.5 g (1.25 g recommended)
Stylus	Sony ND-145G
Weight	6 g

Cartridge XL-250G (supplied only with AEP, UK, E model)

Type	Moving magnet
Frequency response	10 Hz to 20 kHz
Channel separation	23 dB at 1 kHz
Output voltage	5 mV at 1 kHz, 5 cm/sec., 45°
Load impedance	50 kΩ to 100 kΩ
Tracking force	1.0 to 1.5 g (1.25 g recommended)
Stylus	Sony ND-250G
Weight	6 g

SAFETY-RELATED COMPONENT WARNING!!

COMPONENTS IDENTIFIED BY SHADING AND MARK  ON THE SCHEMATIC DIAGRAMS AND IN THE PARTS LIST ARE CRITICAL TO SAFE OPERATION. REPLACE THESE COMPONENTS WITH SONY PARTS WHOSE PART NUMBERS APPEAR AS SHOWN IN THIS MANUAL OR IN SUPPLEMENTS PUBLISHED BY SONY.

STEREO TURNTABLE SYSTEM
SONY®

AUD



SAFETY CHECK-OUT (US Model)

After correcting the original service problem, perform the following safety check before releasing the set to the customer:

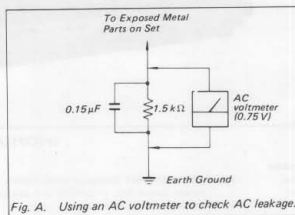
Check the antenna terminals, metal trim, "metalized" knobs, screws, and all other exposed metal parts for AC leakage. Check leakage as described below.

LEAKAGE TEST

The AC leakage from any exposed metal part to earth ground and from all exposed metal parts to any exposed metal part having a return to chassis, must not exceed 0.5 mA (500 microamperes). Leakage current can be measured by any one of three methods.

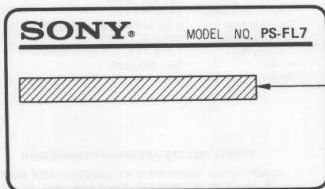
1. A commercial leakage tester, such as the Simpson 229 or RCA WT-540A. Follow the manufacturers' instructions to use these instruments.
2. A battery-operated AC milliammeter. The Data Precision 245 digital multimeter is suitable for this job.

3. Measuring the voltage drop across a resistor by means of a VOM or battery-operated AC voltmeter. The "limit" indication is 0.75V, so analog meters must have an accurate low-voltage scale. The Simpson 250 and Sanwa SH-63Trd are examples of a passive VOM that is suitable. Nearly all battery operated digital multimeters that have a 2V AC range are suitable. (See Fig. A)



MODEL IDENTIFICATION

Specification Label



US model: AC: 120V ~ 60Hz 10W
 AEP model: AC: 220V ~ 50/60Hz 10W
 UK model: AC: 240V ~ 50/60Hz 10W
 E model: AC: 110~220V, 220~240V ~ 50/60Hz 10W

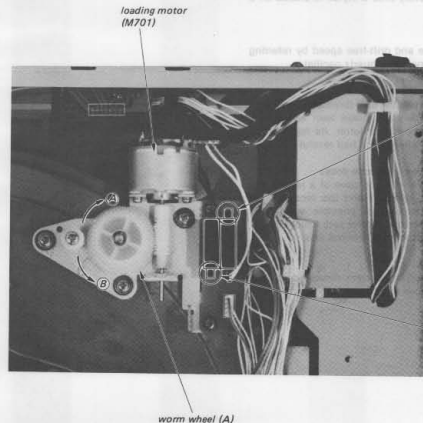
SECTION 1
OUTLINE

NOTES ON REPAIR

— When removing the bottom plate —

- When POWER switch (S401) turns ON with bottom plate removed, loading motor (M701) continues to rotate and does not stop. But, it is not broken.

1. When POWER switch (S401) turns ON with TABLE END switch (S701 or S702) pressed, loading motor (M701) does not rotate.
 2. When TABLE END switch (S701 or S702) is pressed according to the rotating direction of loading motor (M701), the motor stops even if the motor is rotating (See the figure below).
 3. System control IC checks the condition of TABLE END switch by pressing ARM TRANSPORT (\triangle , \square), ARM LIFTER (∇ , \blacktriangledown), START/STOP button.
- When operation buttons are pressed, be sure to keep TABLE END switch (S701 or S702) pressed. If not, key input can not be found.



When worm wheel (A) is rotating in the direction of (B), press S702 (close end det).

When worm wheel (A) is rotating in the direction of (A), press S701 (open end det).

SECTION 1 OUTLINE

1-1. FEATURES

Unique modular turntable system

When you touch the OPEN/CLOSE button, the turntable module will smoothly slide out. Other audio components can be positioned on top of the turntable cabinet.

Servo-controlled linear tracking tonearm

Compared with a pivoted tonearm, a linear tracking arm has a very small tracking error (which means greatly reduced harmonic distortion) and almost no pressure on the inside wall of the groove (which means improved tracking ability and channel separation).

A microprocessor controls four motors

The movement of the turntable, the tonearm and the turntable module is controlled by a microprocessor. When you press the START/STOP button, the module will close, the turntable will rotate and the tonearm will lower onto the record. The tonearm up/down is controlled by its own linear motor to obtain quiet movement.

Fully automatic system

With the module closed, automatic record play and stylus up/down are operated by the "feather-touch" function buttons on the front panel. The record size is automatically set by a photo sensor system.

Muting system

A muting system activates when the tonearm is lifted and deactivates after the tonearm lowers onto a record so there is no need to turn the amplifier volume down every time a stylus is placed on a record.

Quartz lock servo system

The turntable maintains accurate and drift-free speed by referring to a frequency generated by a very stable quartz oscillator.

Linear torque BSL motor

Direct drive system with Sony's unique BSL (brushless and slotless) motor which has an extremely low noise level and whose smoothness virtually eliminates wow and flutter. Its high torque assures a quick start to 33 $\frac{1}{2}$ rpm after only a half revolution.

Synchronized operation with the Sony cassette decks

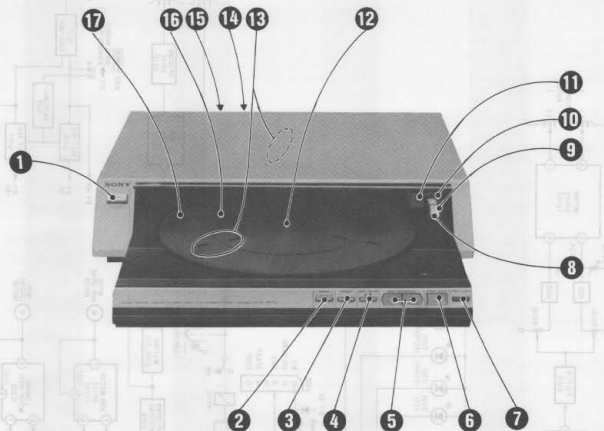
When the tonearm lowers onto the lead-in groove of a record, the cassette deck stand-by mode is released and the record mode assumed. This synchronized operation is possible with Sony cassette decks equipped with a remote control jack which is connected with the Sony RM-65 synchro remote control unit.

Wireless remote control operation

Using the optional RM-44 or RM-S410 system remote controller, start/stop play and tonearm up/down can be remotely controlled.

1-2. LOCATION AND FUNCTION OF CONTROLS

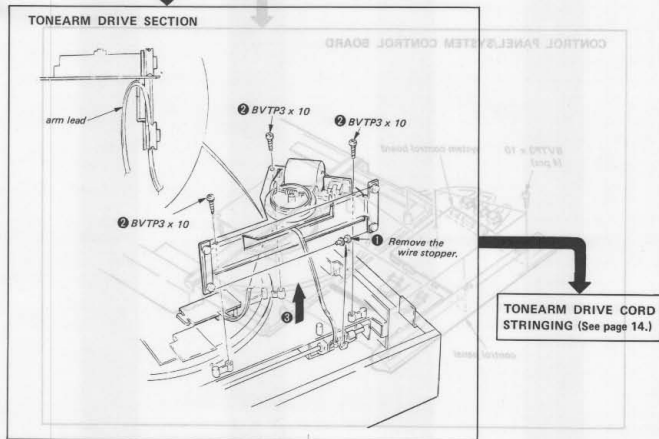
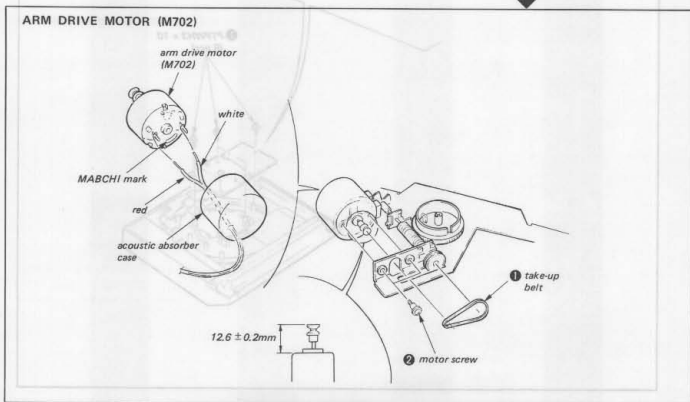
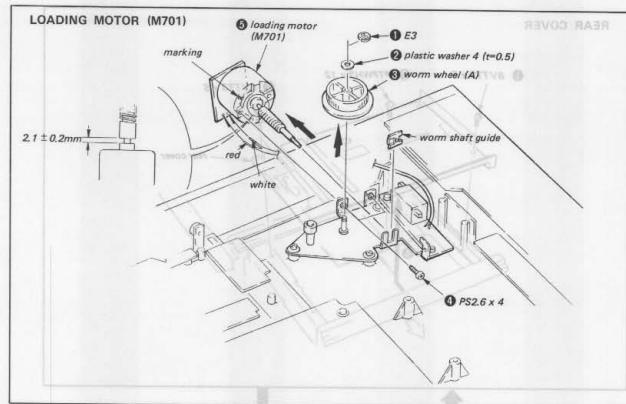
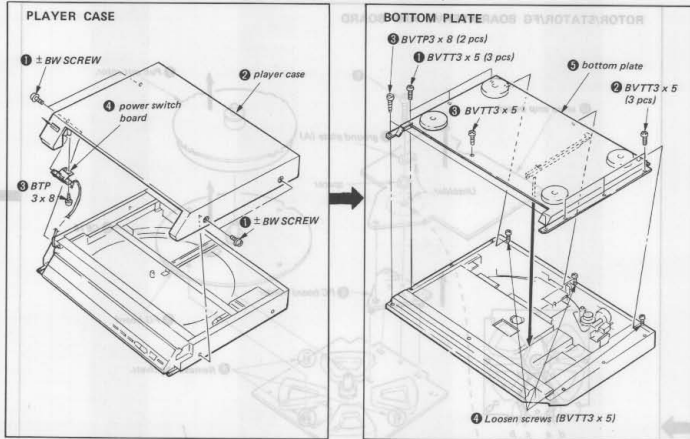
Each number in the text is keyed to that of the photo. The photo shows the assembled turntable.

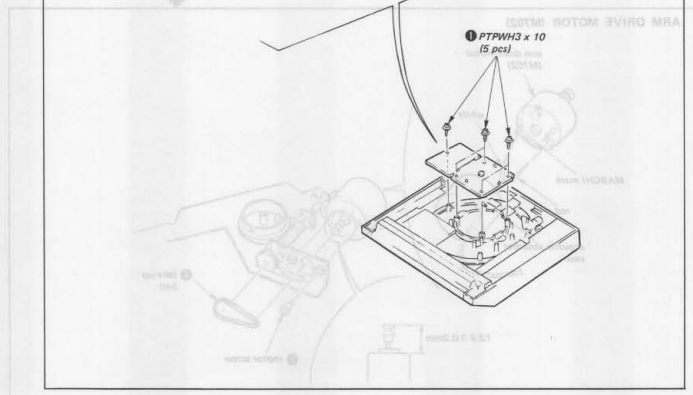
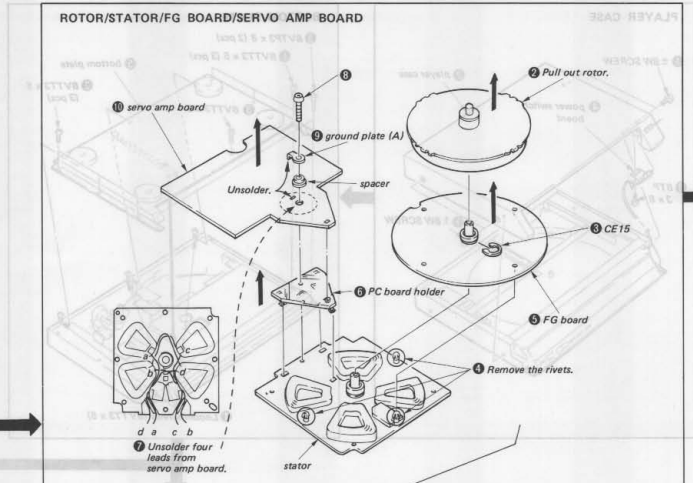
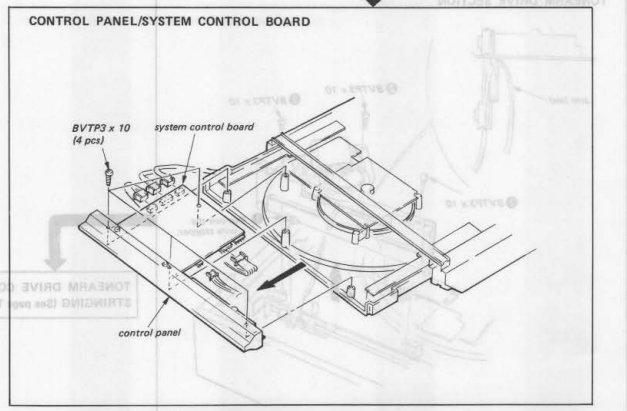
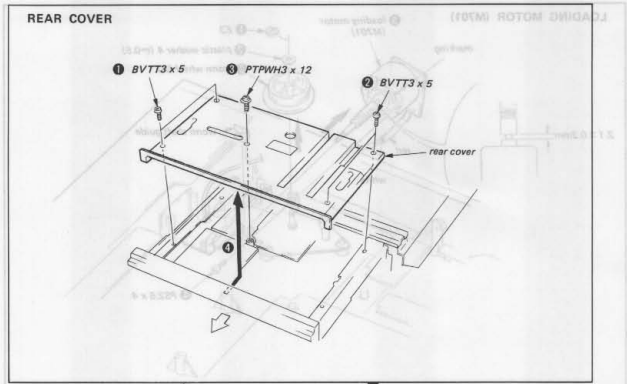


- ❶ POWER switch**
Press to turn on the power. To turn the power off, press it again.
- ❷ SPEED selector and indicators**
Press this button when a 45 rpm record is to be played. Press it again for a 33 $\frac{1}{2}$ rpm record. Corresponding indicator lights up.
- ❸ REPEAT button and indicator**
Press this button to repeat play. The indicator lights up. To cancel the repeat play, press this button again.
- ❹ ARM LIFTER button**
This button lifts and lowers the tonearm. When the tonearm is lowered, the turntable starts rotating.
- ❺ ARM TRANSPORT buttons**
To move the tonearm inward, press the < button, and to move outward, the > button. The tonearm is raised and continues to move while the button is pressed. The tonearm will stop when the button is released. For fine adjustments, press and immediately release the appropriate button.
- ❻ START/STOP button and indicator**
Press to start the record playing. To stop during play, press it again.
- ❼ OPEN/CLOSE button**
With one touch of this button the turntable module automatically opens for loading a record. With another touch the module automatically closes.
- ❽ Cartridge**
- ❾ Cartridge locking screw**
- ❿ Tonearm**
- ⓫ Tonearm position indicator**
- ⓬ Center spindle**
- ⓭ Auto-record-size selection holes and LEDs**
- ⓮ Remote control connector (rear)**
- ⓯ Synchro remote control jack (rear)**
- ⓰ Rubber mat**
- ⓱ Turntable**

SECTION 2
DISASSEMBLY

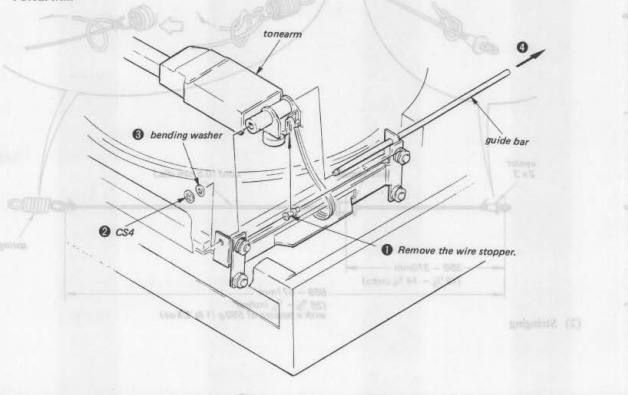
2-1. REMOVAL Note: Follow the disassembly procedure in the numerical order given.





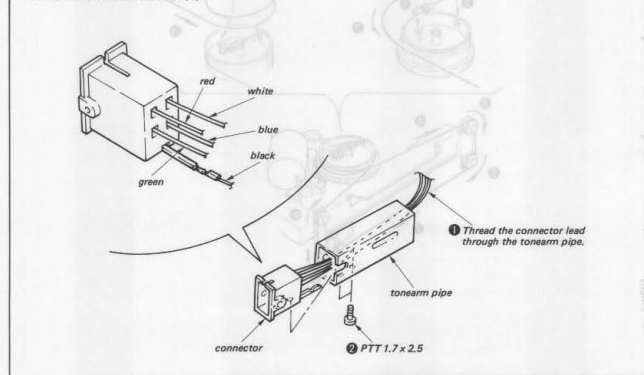
Remove the player case
(See page 7.).

TONEARM

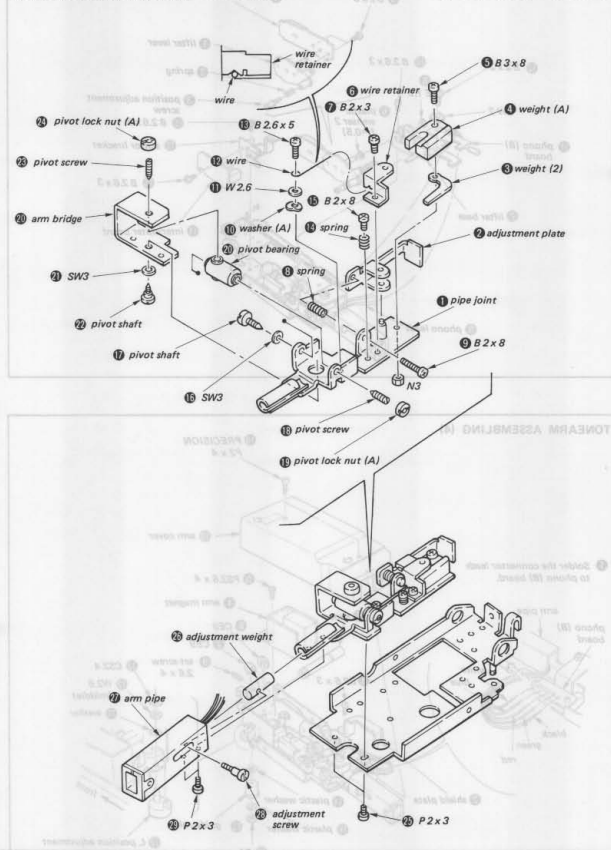


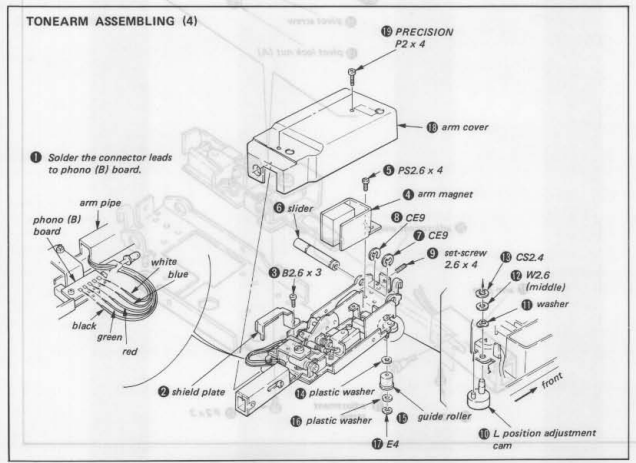
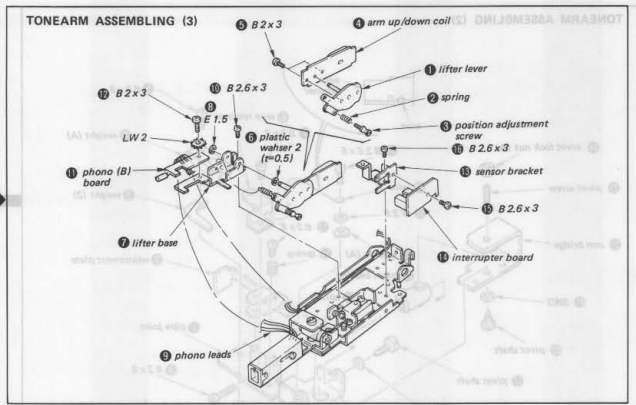
2-2. TONEARM ASSEMBLY

TONEARM ASSEMBLY (1)



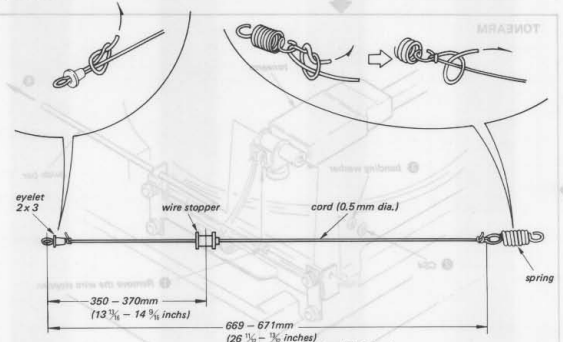
TONEARM ASSEMBLY (2)



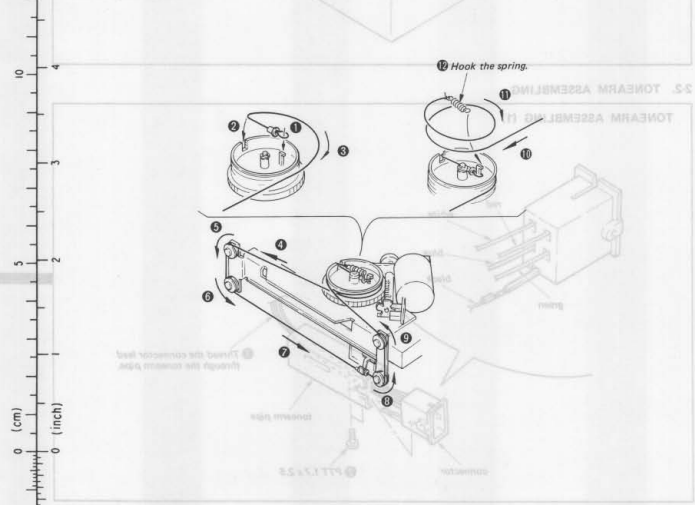


2.3. TONEARM DRIVE CORD STRINGING

(1) Preparation



(2) Stringing

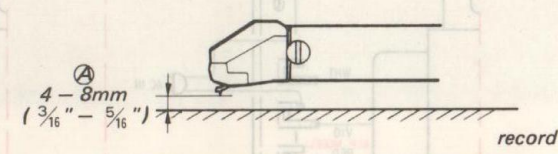


SECTION 3
ADJUSTMENTS

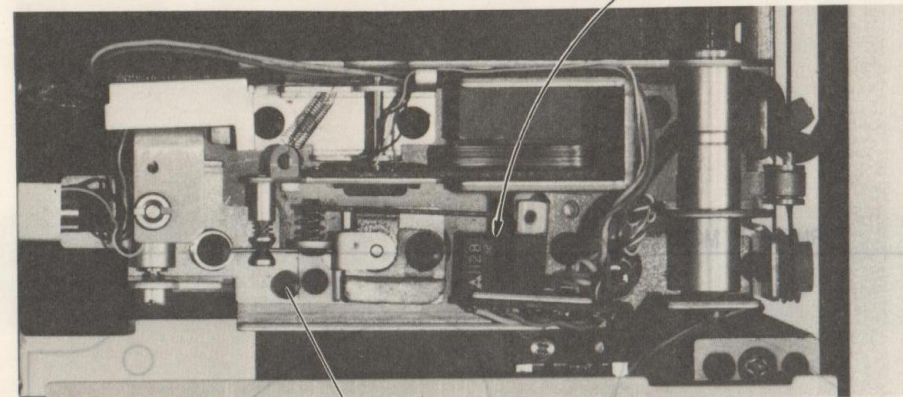
3-1. MECHANICAL ADJUSTMENTS

Stylus Height Adjustment

1. Put a record.
2. Press ARM TRANSPORT button (◀) and move the arm outside the record.
3. Make sure that clearance (A) is 4 - 8 mm ($\frac{3}{16}$ - $\frac{5}{16}$ inches). If necessary, adjust the stylus height adjustment screw.



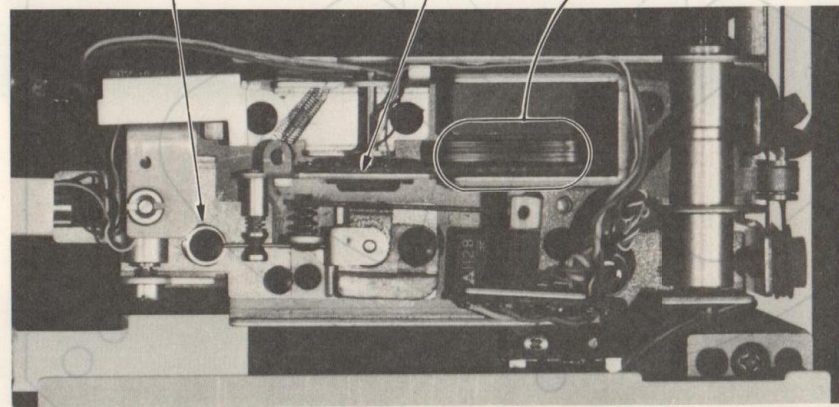
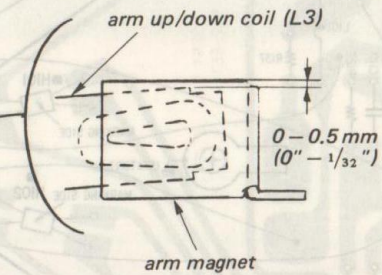
GENERAL NOTE:
Do not let a strong light get in the groove of photo interrupter during mechanical adjustment. Otherwise, misoperation of stoppage or moving may occur to the tonearm base.



up down

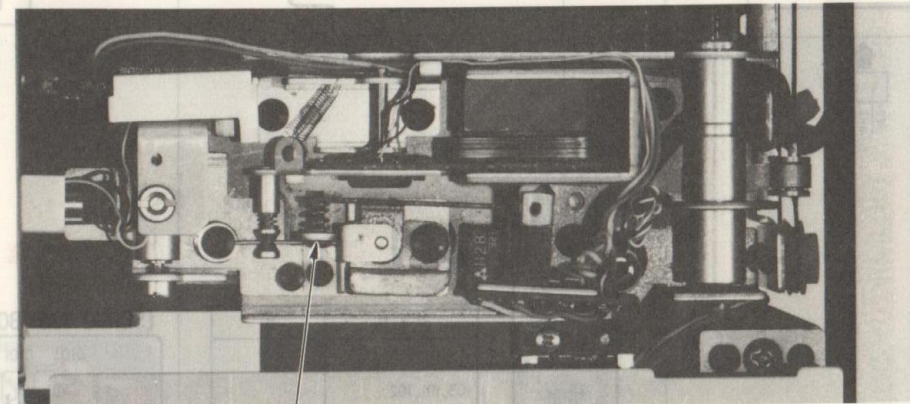
Lifter Height Adjustment

Adjust the lifter height adjustment screw so that the arm up/down coil position is 0 - 0.5 mm (0" - $\frac{1}{32}$ ") as shown below.



Tracking Error Adjustment

- (1) Place a test record (YFSC-16) on the turntable and press the START/STOP button for lead-in.
- (2) Adjust with the adjustment screw so that the tonearm base does not move just after the tonearm goes down.
- (3) After completing step (2), cause the tonearm to lead in, and then go UP after the tonearm base moves.
- (4) Check the count at this time, and then check that the difference in count when the tonearm goes down again is within 0 to -2 counts.



tracking error adjustment screw

step (4) step (2)

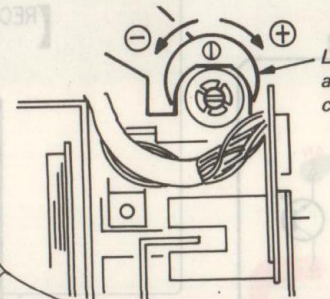
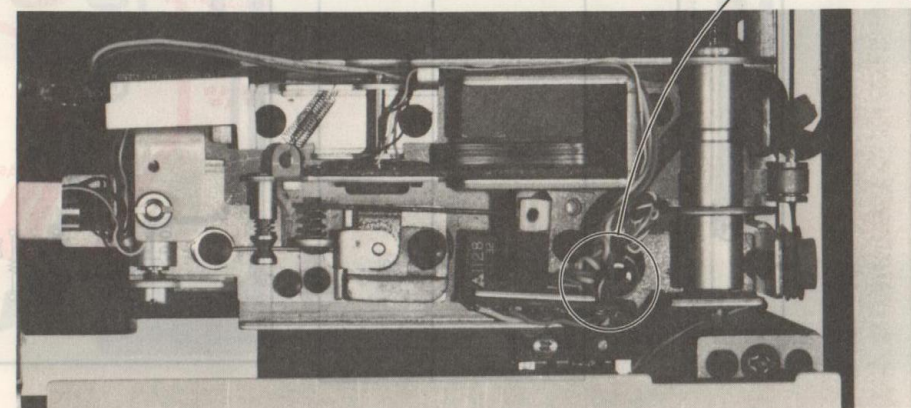
— Adjustment Direction —

For (2) when the arm base moves, turn to the right.
For (4) when the difference in count is too large, turn to the left.

Drop Point (30 cm) Adjustment

- (1) Place a test record (YFSC-16) on the turntable and press the START/STOP button for lead-in.
- (2) Adjust the L position adjustment cam so that the drop point at this time is within the specification.

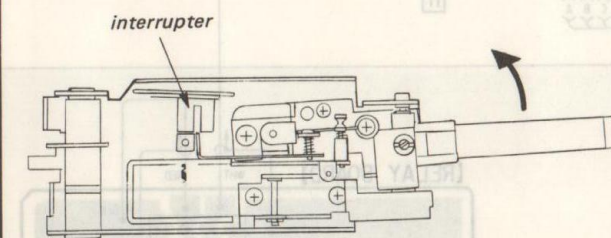
Specification: 8 - 14 counts



3-2. ELECTRICAL ADJUSTMENTS

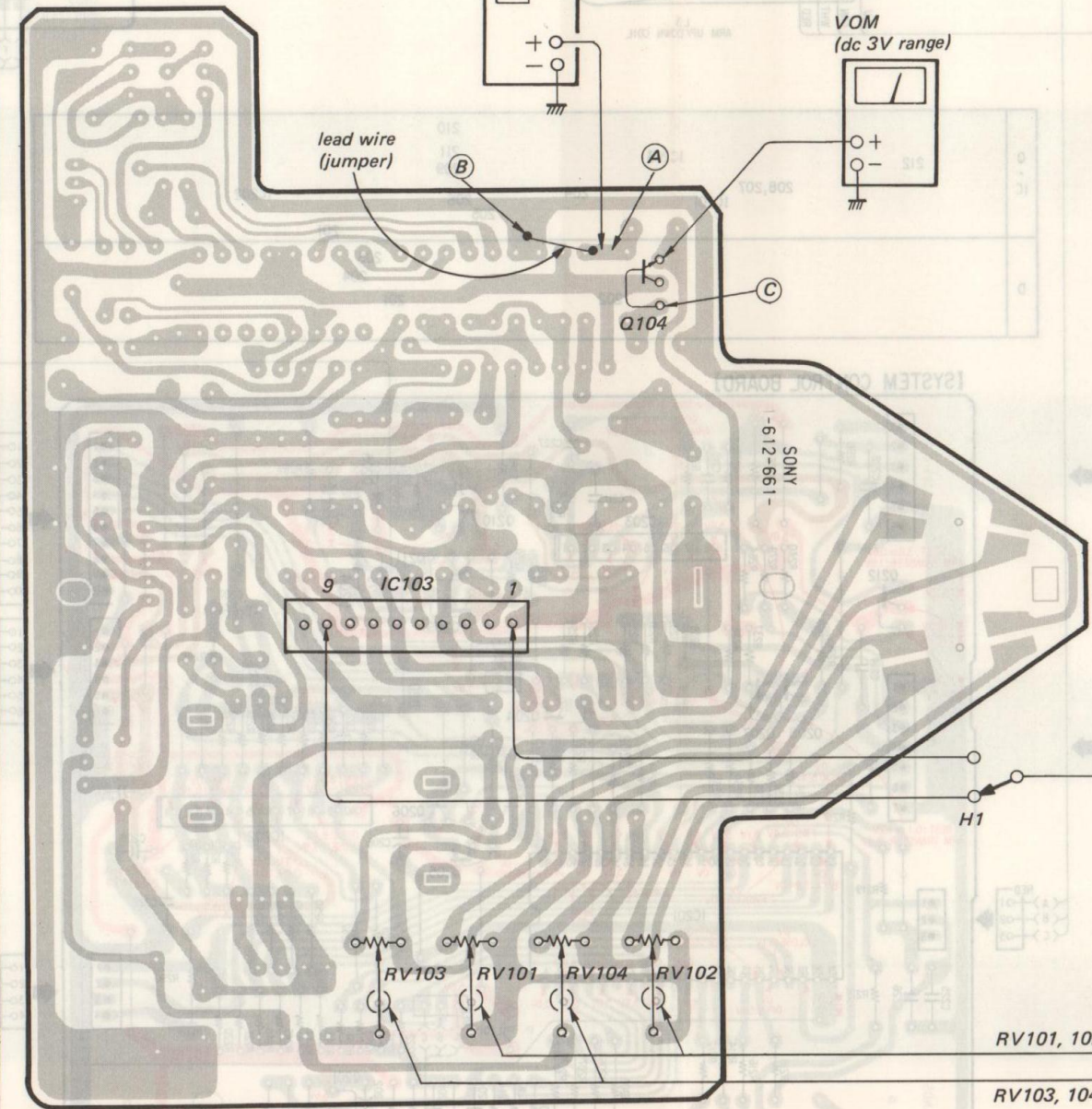
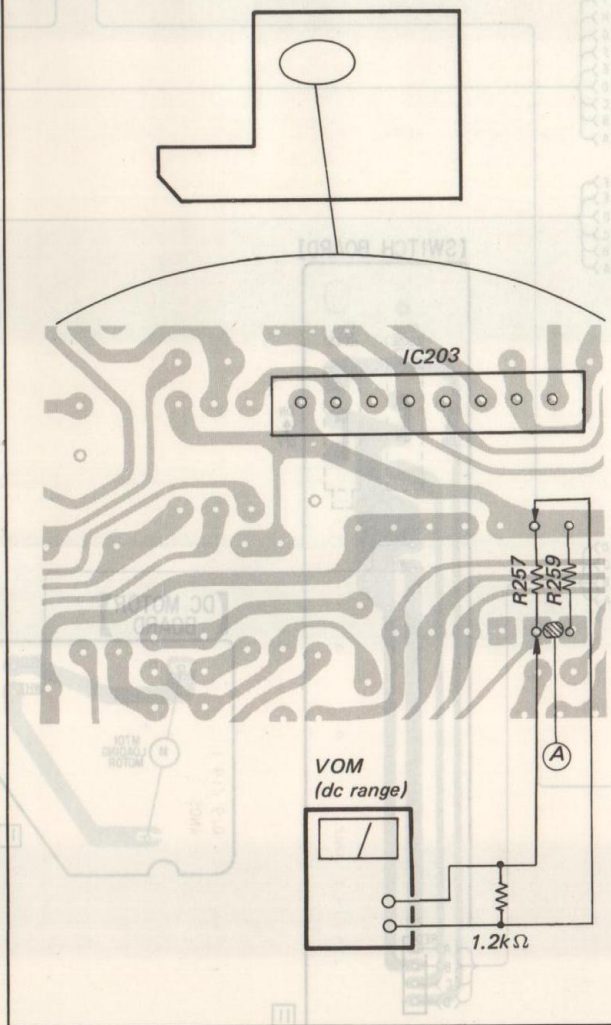
Arm Interrupter Adjustment

1. If the pattern (A) is soldered, unsolder the pattern (A).
2. Set the arm fully rightward. (Be sure that the interrupter for tracking error detection is fully opened.)



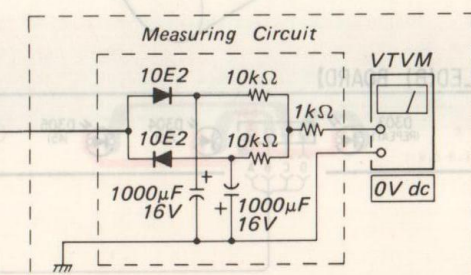
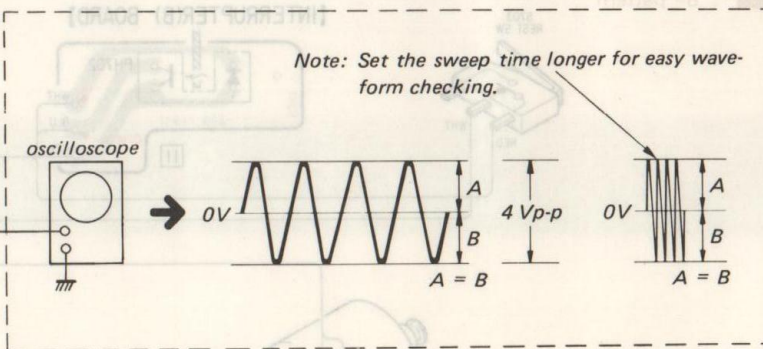
3. Read the voltage on the VOM. If the reading is more than 0.6V, solder the pattern (A).

Adjustment Location: system control board



Gain/Offset Adjustment

1. Connect the pattern (A) to (B), and apply regulated power supply (0V DC) to point (C).
2. Connect a VOM to the emitter of Q104, and adjust the regulated power supply voltage for 1V DC.
3. Adjust RV101 (H1) and RV102 (H2) so that the terminal voltage of IC103 (H1) and (H2) are 4Vp-p. Gain Adjustment
4. Adjust RV103 (H1) and RV104 (H2) so that the terminal waveforms of IC103 (H1) and (H2) are as shown below (or so that DC potential is 0V). Offset Adjustment
5. After adjustment, remove the lead wire connecting pattern (A) to (B).



Conductor Side

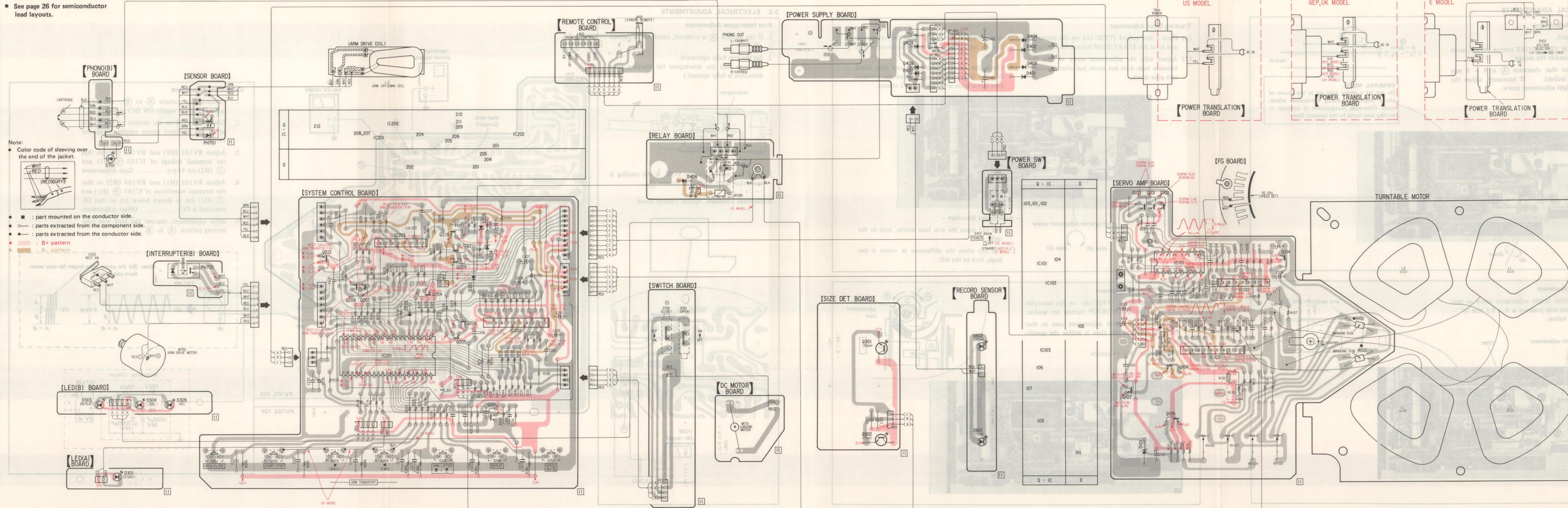
See page 26 for semiconductor lead layouts.

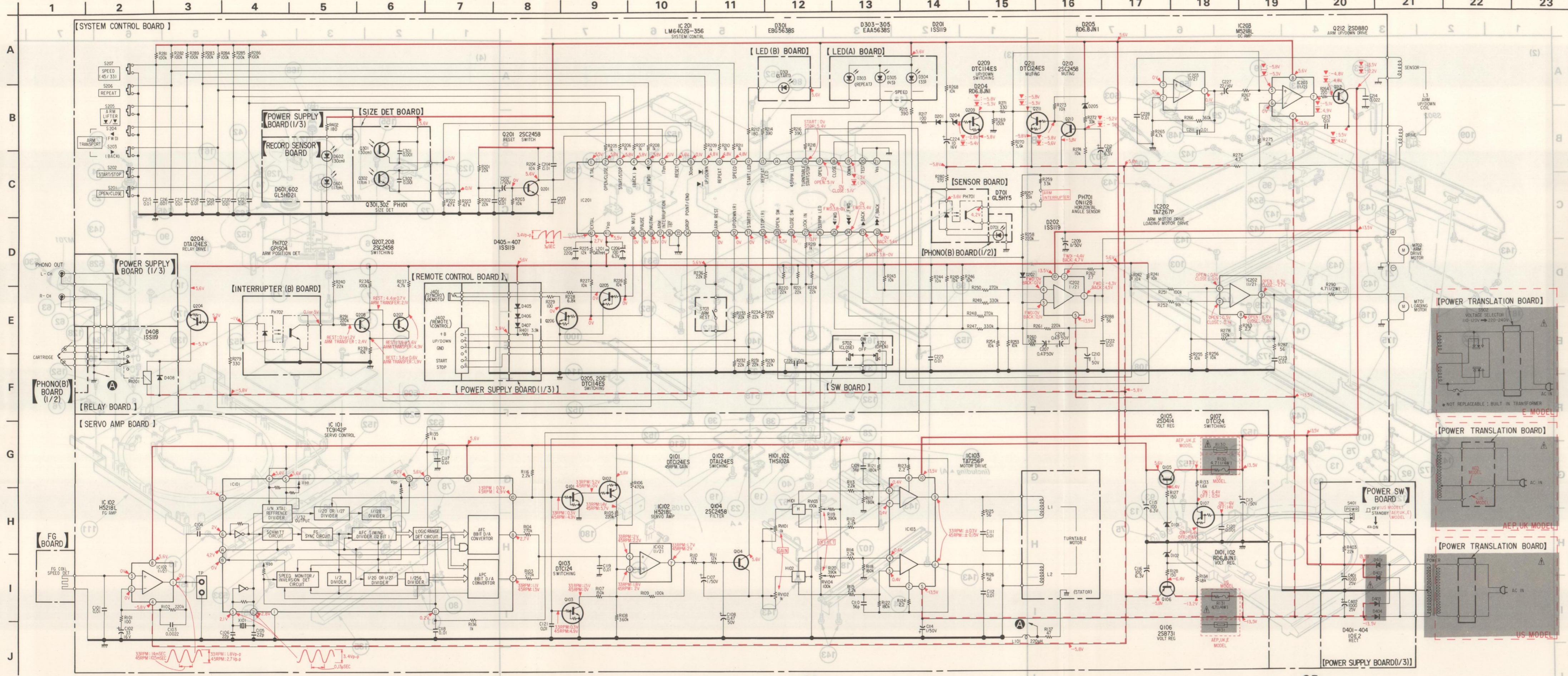
A
B
C
D
E
F
G
H
I
J

Note:

- Color code of sleeving over the end of the jacket.
- WHT (RED)
- RED (GRY)

- : part mounted on the conductor side.
- : parts extracted from the component side.
- : parts extracted from the conductor side.
- : B+ pattern
- - - : B- pattern





• Semiconductor Lead Layouts

Note:

- All capacitors are in μF unless otherwise noted. $\text{pF} : \mu\text{F}$ 50WV or less are not indicated except for electrolytics and tantalums.
- All resistors are in ohms, 1/6W unless otherwise noted. $\text{k}\Omega : 1000\Omega$, $\text{M}\Omega : 1000\text{k}\Omega$
- \square : fusible resistor.
- \square : adjustment for repair.
- : B+ bus.
- - - : B- bus.
- Readings are taken under no-signal conditions with a VOM (50k Ω /V).
- Voltage variations may be noted due to normal production tolerances.
- Switch

Ref. No.	Switch	Position
S201	OPEN/CLOSE	-
S202	START/STOP	-
S203	▶(BACK)	OFF
S204	◀(FWD)	OFF
S205	ARM LIFTER	-
S206	REPEAT	OFF
S207	SPEED	-
S401	POWER	OFF
S701	Open	OFF
S702	Close	OFF
S703	Arm rest	OFF
S902	VOLTAGE SELECTOR	110 - 120V

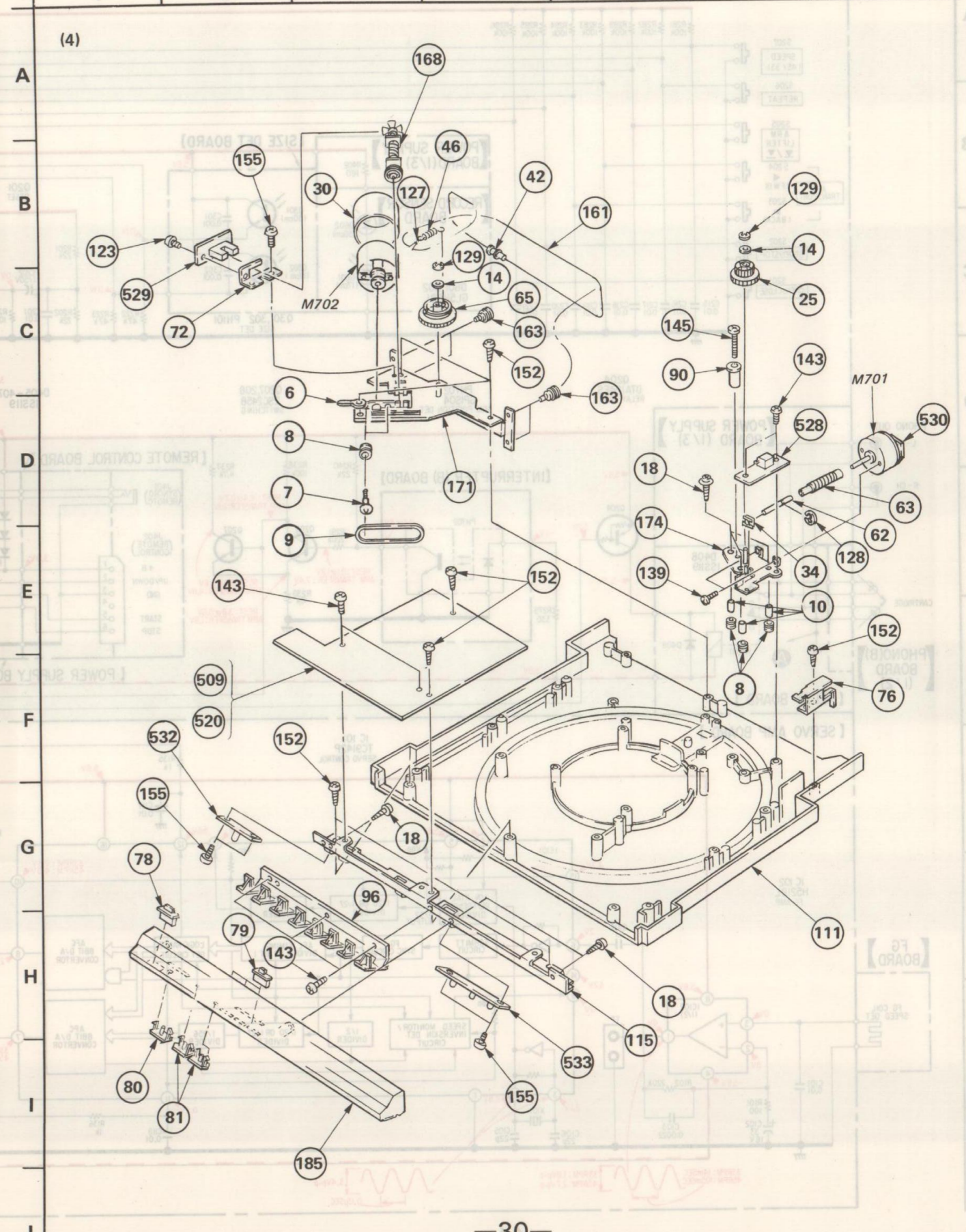
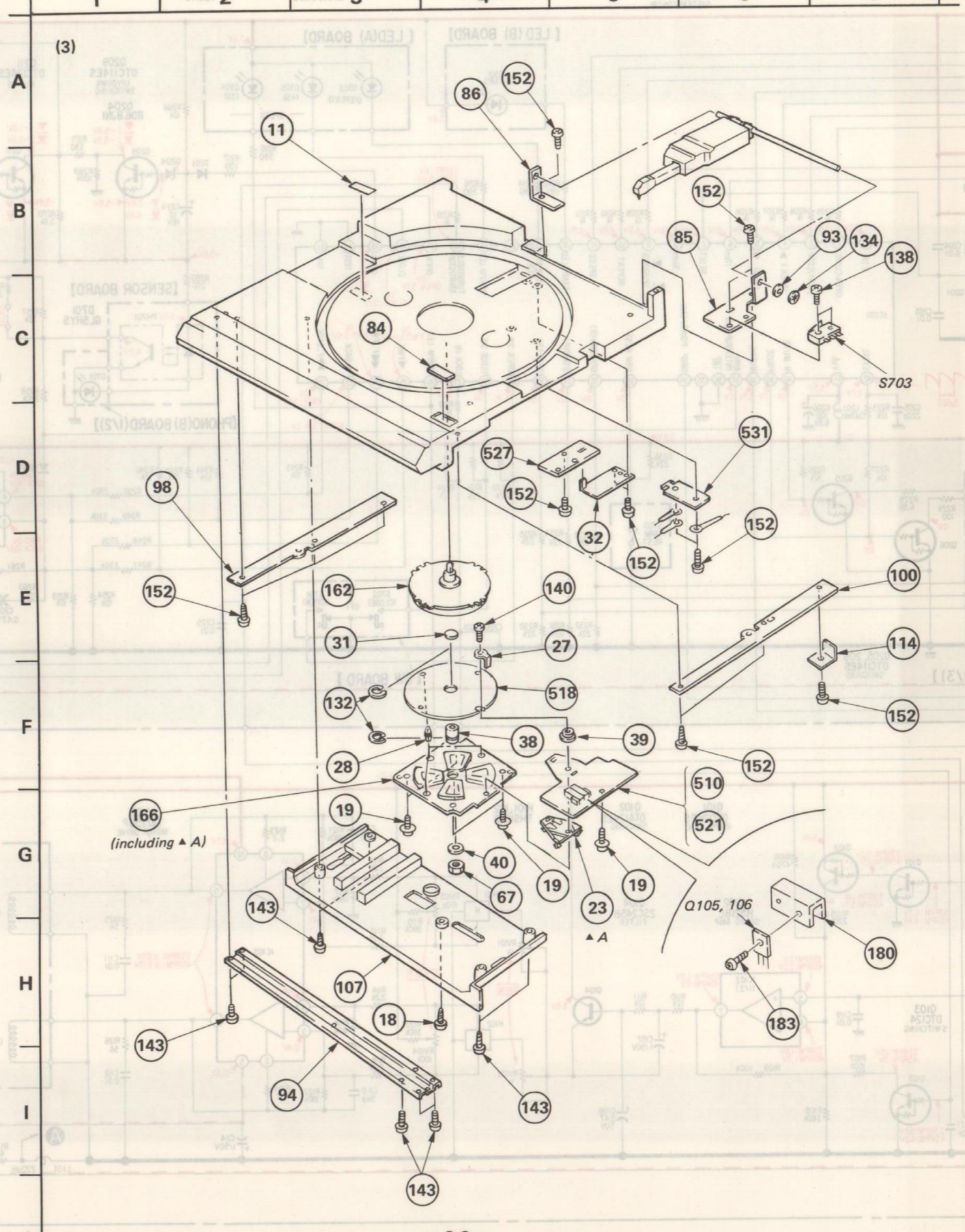
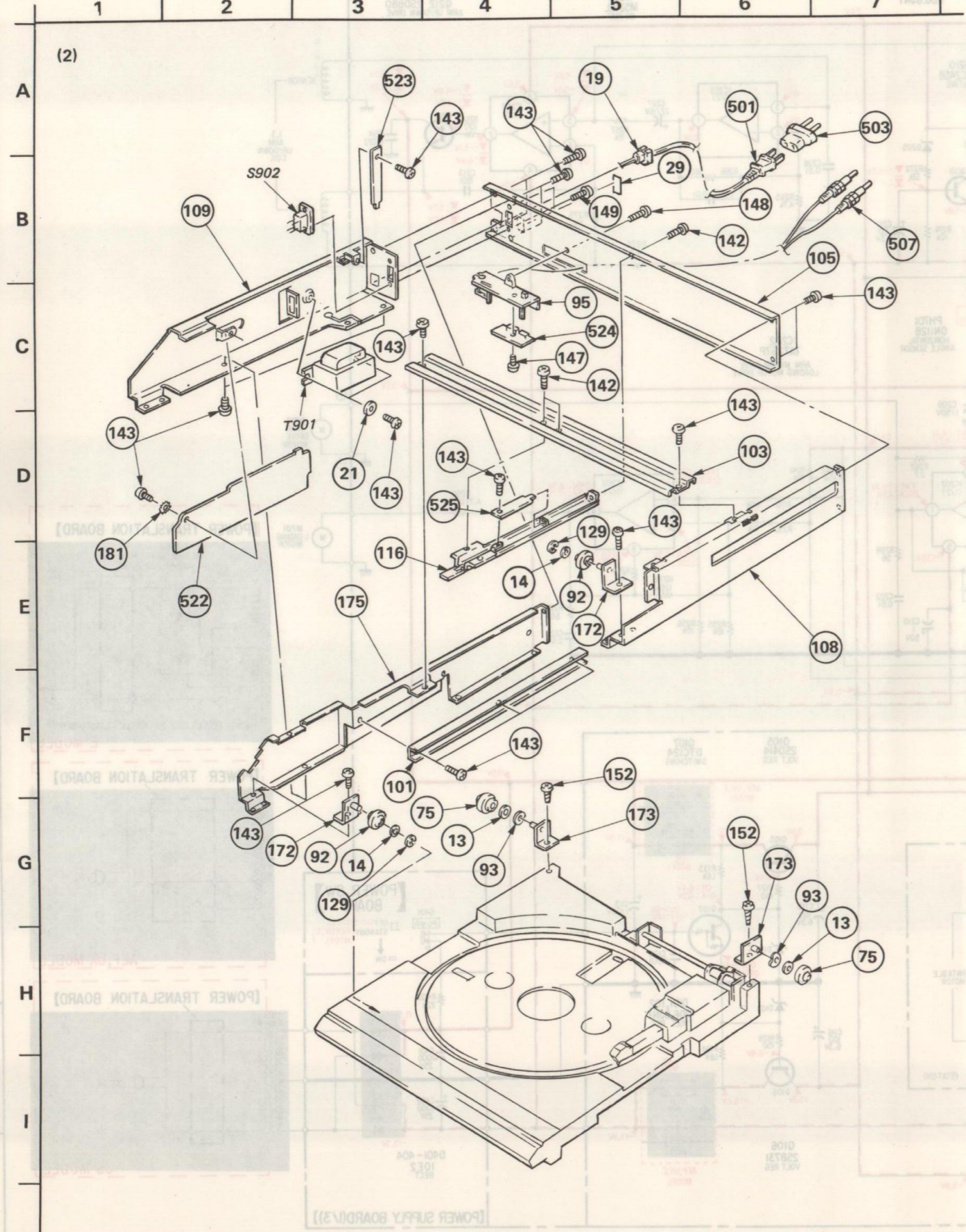
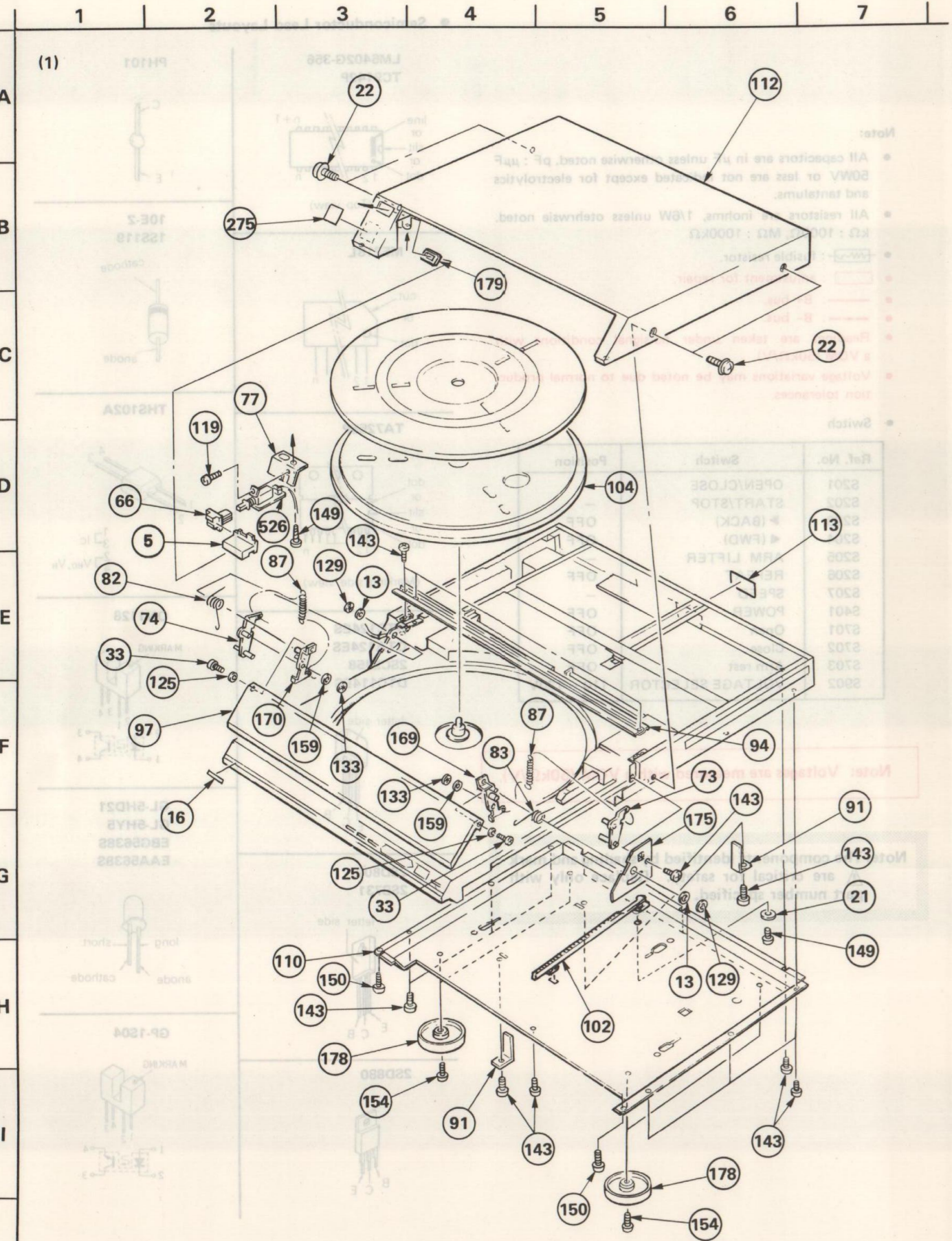
Note: Voltages are measured with a VOM (50k Ω /V).

Note: The components identified by shading and mark Δ are critical for safety. Replace only with part number specified.

Component Part Numbers:

- LM6402G-356
- TC9142P
- PH101
- 10E-2
- 1S5119
- M5218L
- THTS102A
- TA7256P
- ON1128
- GL-5HD21
- GL-5HY5
- EBG5638S
- EAA5638S
- 2SD809
- 2SB731
- GP-1S04
- 2SD880

SECTION 5
EXPLODED VIEWS AND PARTS LIST



NOTICE: PARTS

NOTICE: PARTS

1 2 3 4 5 6 7

(5)

A

B

C

D

E

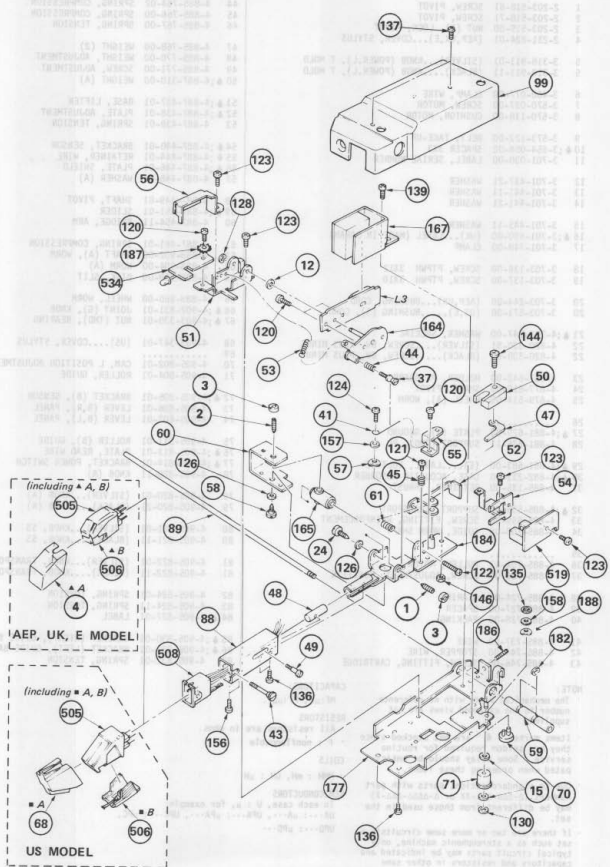
F

G

H

I

J



GENERAL SECTION

No.	Part No.	Description
1	2-203-518-61	SCREW, PIVOT
2	2-203-518-71	SCREW, PIVOT
3	2-203-519-00	NUT (A), LOCK, PIVOT
4	2-231-824-01	(AEP,UK,E)...COVER, STYLUS
5	3-318-911-01	(SILVER)...KNOB (POWER.L), T MOLD
5	3-318-911-11	(BLACK)...KNOB (POWER.L), T MOLD
6	3-460-077-00	CLAMP, WIRE
7	3-570-027-00	SCREW, MOTOR
8	3-570-118-00	CUSHION, MOTOR
9	3-573-122-00	BELT, TAKE-UP
10	3-654-058-00	SPACER 3X3
11	3-701-030-00	LABEL, SERIAL NUMBER
12	3-701-437-21	WASHER
13	3-701-441-11	WASHER
14	3-701-441-21	WASHER
15	3-701-443-11	WASHER
16	3-701-690-00	(UK)...LABEL (MADE IN JAPAN)
17	3-701-748-00	CLAMP
18	3-703-136-00	SCREW, PTPMH 3X12
19	3-703-137-00	SCREW, PTPMH 3X10
20	3-703-244-00	(AEP,UK)...BUSHING, CORD
20	3-703-571-00	(US,E)...BUSHING (S), CORD
21	4-301-647-00	WASHER, SPECIAL
22	4-820-330-51	(SILVER)...SCREW, BW, PLUS MINUS
22	4-820-330-61	(BLACK)...SCREW, BW, PLUS MINUS
23	4-887-642-00	HOLDER, PC BOARD
24	4-877-816-00	SHAFT, PIVOT
25	4-879-514-00	WHEEL (A), WORM
26
27	4-881-629-00	PLATE (A), GROUND
28	4-881-636-11	SUPPORT (TMD), PC
29	4-881-683-00	(E)...LABEL, VOLTAGE
30	4-882-233-00	CASE, ACOUSTIC ABSORBER
31	4-885-135-00	RETAINER, THRUST
32	4-885-535-00	SUPPORT, TRANSPORT
33	4-885-599-00	SCREW, FITTING, REINFORCEMENT
34	4-885-703-00	GUIDE, WORM SHAFT
35
36	4-885-704-03	PULLEY, MOTOR
37	4-885-706-04	SCREW, ADJUSTMENT, POSITION
38	4-885-724-00	BEARING
39	4-885-727-00	SPACER
40	4-885-728-00	PACKING
41	4-885-737-00	WIRE
42	4-885-744-00	STOPPER, WIRE
43	4-885-746-00	SCREW, FITTING, CARTRIDGE

NOTE:

- The mechanical parts with no reference number in the exploded views are not supplied.
- Items marked " & " are not stocked since they are seldom required for routine service. Some delay should be anticipated when ordering these items.
- Due to standardization, parts with part numbers (Δ-ΔΔΔ-ΔΔΔ-XX or Δ-ΔΔΔΔ-ΔΔΔ-X) may be different from those used in the set.
- If there are two or more same circuits in a set such as a stereophonic machine, only typical circuit parts may be indicated and capacitors and resistors in other same circuits may be omitted.

GENERAL SECTION

No.	Part No.	Description
44	4-885-764-02	SPRING, COMPRESSION
45	4-885-766-00	SPRING, COMPRESSION
46	4-885-767-00	SPRING, TENSION
47	4-885-768-00	WEIGHT (2)
48	4-885-770-00	WEIGHT, ADJUSTMENT
49	4-885-771-00	SCREW, ADJUSTMENT
50	4-887-310-00	WEIGHT (A)
51	4-887-437-01	BASE, LIFTER
52	4-887-438-01	PLATE, ADJUSTMENT
53	4-887-439-01	SPRING, TENSION
54	4-887-440-01	BRACKET, SENSOR
55	4-887-444-01	RETAINER, WIRE
56	4-887-446-01	PLATE, SHIELD
57	4-887-448-01	WASHER (A)
58	4-887-449-01	SHAFT, PIVOT
59	4-887-451-01	SLIDER
60	4-887-454-11	BRIDGE, ARM
61	4-887-461-01	SPRING, COMPRESSION
62	4-888-902-00	SHAFT (A), WORM
63	4-888-904-00	WORM (A)
64	4-888-959-00	DISK, SLIT
65	4-888-960-00	WHEEL, WORM
66	4-902-831-01	JOINT (G), KNOB
67	4-903-330-01	NUT (TMD), BEARING
68	4-903-347-01	(US)...COVER, STYLUS
69
70	4-905-802-01	CAM, L POSITION ADJUSTMENT
71	4-905-804-01	ROLLER, GUIDE
72	4-905-805-01	BRACKET (B), SENSOR
73	4-905-806-01	LEVER (B,R), PANEL
74	4-905-807-01	LEVER (B,L), PANEL
75	4-905-811-01	ROLLER (B), GUIDE
76	4-905-813-01	PLATE, READ WIRE
77	4-905-814-01	BRACKET, POWER SWITCH
78	4-905-820-11	KNOB (A)
79	4-905-820-01	(SILVER)...KNOB (A)
79	4-905-820-21	(BLACK)...KNOB (A)
80	4-905-821-01	(SILVER)...KNOB, SS
80	4-905-821-11	(BLACK)...KNOB, SS
81	4-905-822-01	(SILVER)...KNOB, TRANSPORT
81	4-905-822-11	(BLACK)...KNOB, TRANSPORT
82	4-905-824-01	SPRING, TORSION
83	4-905-824-11	SPRING, TORSION
84	4-905-827-01	LABEL
85	4-905-830-01	BRACKET (RIGHT), GUIDE BAR
86	4-905-831-01	BRACKET (LEFT), GUIDE BAR
87	4-905-832-01	SPRING, TENSION

CAPACITORS:

MF:μF, PF:μUF.

RESISTORS

All resistors are in ohms.

F: nonflammable

COILS

MH: mH, UH: μH

SEMICONDUCTORS

In each case, U: μ, for example:

UA...: μA..., UPA...: μPA..., UPC...: μPC,

UPD...: μPD...

GENERAL SECTION

No.	Part No.	Description
88	4-905-834-01	PIPE, ARM
89	4-905-835-01	BAR, GUIDE
90	4-905-837-01	GUIDE, RACK
91	4-905-838-01	PLATE, FUNCTION, LOADING SWITCH
92	4-905-841-01	ROLLER (A), GUIDE
93	4-905-842-01	MISCHER, REMOVING REINFORCEMENT (LOWER)
94	4-905-843-01	BOARD, TERMINAL, REMOTE CONTROL
95	4-905-845-01	KNOB (R), CONTROL
96	4-905-846-01	PANEL, FRONT
98	4-905-847-01	GUIDE (C)
99	4-905-848-01	COVER, ARM
100	4-905-850-01	GUIDE (A)
101	4-905-851-01	GUIDE (B)
102	4-905-853-01	PLATE, RACK
103	4-905-854-01	REINFORCEMENT (UPPER)
104	4-905-855-01	TURNABLE
105	4-905-856-01	(US, AEP, UK)...PANEL, RACK
106	4-905-856-11	(E).....PANEL, RACK
106		
107	4-905-857-01	COVER, REAR
108	4-905-860-01	(PLATE, A), SIDE
109	4-905-863-01	(US, AEP, UK)...PLATE (L), SIDE
109	4-905-863-12	(E).....PLATE (L), SIDE
110	4-905-865-01	PLATE, BOTTOM
111	4-905-866-01	FRAME
112	4-905-867-01	(SILVER/US)...CASE, PLAYER
112	4-905-867-21	(BLACK/US)...CASE, PLAYER
112	4-905-867-32	(AEP, UK, E)...CASE, PLAYER
113	4-905-801-01	(US).....LABEL, MODEL NUMBER
113	4-905-870-01	(AEP).....LABEL, MODEL NUMBER
113	4-905-871-01	(E).....LABEL, MODEL NUMBER
113	4-905-872-01	(UK).....LABEL, MODEL NUMBER
114	4-905-873-01	PLATE, STOPPER
115	4-905-875-01	BRACKET, CONTROL PANEL
116	4-905-877-01	BRACKET, SENSOR
117	7-621-255-10	SCREW #P 2X3
118	7-621-736-09	SET-SCOT, HEX, 2.6X5
119	7-621-759-35	PSM, 2.6X5
120	7-621-772-00	SCREW #B 2X3
121	7-621-772-30	SCREW #B 2X6
122	7-621-772-40	SCREW #B 2X8
123	7-621-775-20	SCREW #B 2.6X3
124	7-621-775-20	SCREW #B 2.6X5
125	7-623-207-22	SW 2.6, TYPE 2
126	7-623-208-22	SW 3, TYPE 2
127	7-623-616-01	EVELET, 2X3

NOTE:

* The mechanical parts with no reference number in the exploded views are not supplied.

* Items marked "▲" are not stocked since they are seldom required for routine service. Some delay should be anticipated when ordering these items.

* Due to standardization, parts with part numbers (0-AAA-AAA-XX or 0-AAA-AAA-X) may be different from those used in the set.

* If there are two or more same circuits in a set machine, only typical parts may be indicated and capacitors and resistors in other same circuits may be omitted.

CAPACITORS:

MF:UF, PF:PF.

* All resistors are in ohms.

* F : nonflammable

COLLS

MM : mm, UM : μH

SEMICONDUCORS

In each case, U : μ; for example:

UR-... : uA-...; UPA-... : uPA-...; UPC-... : pC.

UPD-... : pD-...

GENERAL SECTION

No.	Part No.	Description
128	7-624-102-04	STOP RING 1.5, TYPE -E
129	7-624-106-04	STOP RING 3.0, TYPE -E
130	7-624-106-04	STOP RING 4.0, TYPE -E
131	7-624-133-24	STOP RING 7, TYPE-CE
132	7-624-133-94	STOP RING 15, TYPE-CE
133	7-624-190-11	STOP RING 3, TYPE-CE
134	7-624-190-31	STOP RING 4, TYPE-CE
135	7-624-190-61	STOP RING 2.4, TYPE-CE
136	7-627-553-37	SCREW, PRECISION #P 2XB
137	7-627-553-37	SCREW, PRECISION #P 2X4
138	7-627-553-98	SCREW, PRECISION #P 2XB
139	7-628-253-99	SCREW #T 2.6X4
140	7-628-149-13	SCREW #P 3X10
141	7-682-546-04	SCREW #B 3X3
142	7-682-545-04	SCREW #B 3X4
143	7-682-546-04	SCREW #VTT 3X5 (S)
144	7-682-548-09	SCREW #B 3X8
145	7-682-553-04	SCREW #B 3X20
146	7-684-023-04	N 3, TYPE 2
147	7-685-133-21	SCREW #P 2.6X8 TYPE2 SLT
148	7-685-133-21	SCREW #BT 3X6 TYPE2 N-S
149	7-685-646-19	SCREW #BT 3X8 TYPE2 N-S
150	7-685-646-19	SCREW #VTP 3X8 TYPE2 N-S
151	7-685-647-14	SCREW #BT 3X10 TYPE2 N-S
152	7-685-647-21	SCREW #VTP 3X10 TYPE2 N-S
153	7-685-648-11	SCREW #VTP 3X12 TYPE2 N-S
154	7-685-751-09	SCREW #VTT 3X6 (S)
155	7-685-790-04	SCREW #VTT 2.6X4 (S)
156	7-685-799-04	SCREW #VT 1.7X2.5
157	7-688-002-01	SCREW 2.6MM
158	7-688-002-11	W 2.6, MIDDLE
159	7-688-003-12	W 3, MIDDLE
160	9-110-999-33	(US).....LABEL, IDENTIFICATION
161	9-911-825-42	STRING, TETRON DIAL (0.5MM)
162	A-608-232-A	ROTOR ASSY
163	X-4856-325-0	PULLY ASSY
164	X-4887-404-1	BEARING, LIFTER
165	X-4887-411-1	BEARING ASSY
166	X-4887-413-1	STATOR ASSY
167	X-4887-415-1	MAGNET ASSY, ARM
168	X-4888-902-4	WORM ASSY
169	X-4905-801-1	LEVER (A,R) ASSY, PANEL
170	X-4905-802-1	LEVER (A,L) ASSY, PANEL
171	X-4905-800-1	ROTOR
172	X-4905-804-1	(A) ASSY, GUIDE ROLLER
173	X-4905-805-1	BRACKET (B) ASSY, GUIDE ROLLER
174	X-4905-806-1	BRACKET ASSY, LOADING GEAR
175	X-4905-807-1	PLATE (C) ASSY, SIDE

GENERAL SECTION

No.	Part No.	Description
176	X-4905-809-1	BRACKET (R) ASSY, PANEL LEVER
177	X-4905-809-1	BASE ASSY, ARM
178	X-4905-813-1	INSULATOR ASSY
179	3-318-916-01	ESCUTCHION (B), POWER KNOB
180	4-895-862-11	HEAT SINK
181	7-623-422-07	WASHER, LW 2
182	7-624-133-44	STOPPING 9, TYPE-CE
183	7-682-547-09	SCREW #B 3X6
184	X-4887-414-1	JOINT ASSY, PIPE
185	X-4905-811-1	(SILVER)...PANEL ASSY, CONTROL
185	X-4905-812-1	(BLACK)...PANEL ASSY, CONTROL
186	7-627-735-09	SET-SCREW, W/ 2.6X4
187	7-623-420-07	WASHER, LW 2
188	4-904-236-01	ACCESSORY & PACKING MATERIAL
251	3-565-234-10	BAG, PROTECTION
252	3-610-931-01	SPACER, SHAFT, DRUM HEAD
253	3-701-500-00	COLOR, POLYETHYLENE
254	3-701-630-00	BAG, POLYETHYLENE
255	3-701-632-00	BAG, POLYETHYLENE
256	3-701-806-00	ADAPTOR, 45 (E)
257	3-773-928-11	(AEP, UK, E)...MANUAL, INSTRUCTION
258	3-773-928-21	(US).....MANUAL, INSTRUCTION
259	3-773-928-41	(AEP).....MANUAL, INSTRUCTION
260	3-795-753-21	(US).....INSTRUCTION
261	4-808-459-91	(R), MOTOR LOCK
262	4-880-101-00	PLATE, PROTECTION
263	4-885-746-00	SCREW, FITTING, CARTRIDGE
264	4-905-825-01	PLATE (A), LOCK, TRANSPORT
265	4-905-828-00	(US).....LABEL, TRANSPORT
266	4-905-880-11	SHUT, TURNABLE
267	4-905-888-01	CUSHION (RIGHT)
268	4-905-889-01	CUSHION (LEFT)
269	4-905-876-01	(US).....SCREW, TRANSPORT
270	4-905-878-01	HOLDER, TURNABLE
271	4-905-879-11	(AEP, UK).....LABEL, CAUTION
272	4-905-879-21	(US).....LABEL, CAUTION
273	4-905-880-11	LABEL, SERVICING NOTE
274	4-905-881-11	PLATE, PROTECTION
275	X-4887-405-1	(US).....SCREW ASSY, CARTRIDGE
276	4-905-874-01	INDIVIDUAL CARTON
277	4-905-872-01	(US).....INDIVIDUAL CARTON
278	3-703-713-01	STICKER, SONY SYMBOL (D)
279	3-773-928-01	(UK, E).....MANUAL, INSTRUCTION
280	3-773-928-31	(US).....MANUAL, INSTRUCTION

NOTE:

* The mechanical parts with no reference number in the exploded views are not supplied.

* Items marked "▲" are not stocked since they are seldom required for routine service. Some delay should be anticipated when ordering these items.

* Due to standardization, parts with part numbers (0-AAA-AAA-XX or 0-AAA-AAA-X) may be different from those used in the set.

* If there are two or more same circuits in a set machine, only typical circuit parts may be indicated and capacitors and resistors in other same circuits may be omitted.

GENERAL SECTION

Ref. No.	Part No.	Description	UNIT	QTY	REMARKS
501	A-1534-817-X	(AEP).....CORD, POWER			
501	A-1551-884-00	(UK).....CORD, POWER			
501	A-1551-472-00	(E).....CORD, POWER			
501	A-1551-506-X	(US).....CORD, POWER			
502	4-1505-790-00	BASE POST (U) TYPE			
503	A-1526-565-00	(E).....AC PLUG ADAPTOR			
504	4-1539-116-00	STOPPING (WL-45G)			
505	1-549-117-01	(US).....CARTRIDGE (WL-45G)			
505	A-4605-089-C	(AEP, UK, E)...CARTRIDGE COMPLETE ASSY			
506	1-549-118-11	(US).....STYLUS ASSY, ND-145G			(AL-250G)
506	A-4605-071-C	(AEP, UK, E)...STYLUS ASSY, ND-250G			
507	1-551-294-00	CORD, SLEED (WITH PIN)			
508	1-556-552-00	CONNECTOR (PHONO IN) TYPE			
509	A-4616-015-A	MOUNTED PCB, SYSTEM CONTROL			
510	A-4619-243-A	(US).....MOUNTED PCB, SERVO AMPLIFIER			
510	A-4619-244-A	(AEP, UK, E)...MOUNTED PCB, SERVO AMPLIFIER			
511	1-564-113-11	PIN, CONNECTOR 4P			
512	1-564-115-00	PIN, CONNECTOR 6P			
513	1-564-116-00	PIN, CONNECTOR 7P			
514	1-564-496-11	PIN, CONNECTOR 3P			
515	1-564-497-11	PIN, CONNECTOR 4P			
516	1-564-499-11	PIN, CONNECTOR 6P			
517	1-564-502-11	PIN, CONNECTOR 10P			
518	1-608-883-00	PC BOARD, F			
519	1-612-356-11	PC BOARD, SENSOR			
520	1-612-660-11	PC BOARD, SYSPON			
521	1-612-661-11	PC BOARD, SERVO MOTOR			
522	1-612-662-11	PC BOARD, POWER SUPPLY			
523	1-612-663-11	PC BOARD, POWER TRANSLATION			
524	1-612-664-11	PC BOARD, REMOTE CONTROL			
525	1-612-666-11	PC BOARD, RECORD SENSOR			
526	1-612-666-11	PC BOARD, POWER SW			
527	1-612-667-11	PC BOARD, SIZE DETECTION			
528	1-612-668-11	PC BOARD, SW			
529	1-612-669-11	PC BOARD, INTERRUPTER (B)			
530	1-612-670-11	PC BOARD, MOTOR			
531	1-612-671-11	PC BOARD, RELAY			
532	1-612-672-11	PC BOARD, LED (A)			
533	1-612-673-11	PC BOARD, LED (B)			
534	1-612-721-11	PC BOARD, PHONO (B)			
535	1-612-944-11	PC BOARD, POWER SW			
C101	1-162-113-00	CERAMIC 0.01MF	30%	16V	
C102	1-162-310-00	CERAMIC 0.01MF	20%	16V	
C103	1-162-111-00	CERAMIC 0.002MF	30%	25V	

CAPACITORS:

MF:UF, PF:PF.

* All resistors are in ohms.

* F : nonflammable

COLLS

MM : mm, UM : μH

SEMICONDUCORS

In each case, U : μ; for example:

UR-... : uA-...; UPA-... : uPA-...; UPC-... : pC.

UPD-... : pD-...

The components indicated

by shading and mark ▲ are

critical for safety.

Replace only with part

number specified.

ELECTRICAL PARTS

ELECTRICAL PARTS

ELECTRICAL PARTS

ELECTRICAL PARTS

Ref.No.	Part No.	Description
C104	1-161-974-00	CERAMIC 0.1MF 0 16V
C105	1-162-056-00	CERAMIC 22PF 5K 50V
C106	1-162-052-00	CERAMIC 22PF 5K 50V
C107	1-123-380-00	ELECT 1MF 20K 50V
C108	1-123-379-00	ELECT 0.47MF 20K 50V
C109	1-162-031-00	CERAMIC 96PF 5K 50V
C110	1-162-031-00	CERAMIC 56PF 5K 50V
C111	1-162-113-00	CERAMIC 0.01MF 30K 16V
C112	1-162-113-00	CERAMIC 0.1MF 30K 16V
C113	1-123-611-00	ELECT 0.01MF 20K 50V
C114	1-123-611-00	ELECT 1MF 20K 50V
C115	1-123-661-00	ELECT 100MF 20K 6.3V
C116	1-123-661-00	ELECT 0.00MF 20K 6.3V
C117	1-162-113-00	CERAMIC 10.0MF 30K 16V
C118	1-162-113-00	CERAMIC 0.01MF 30K 16V
C119	1-162-113-00	CERAMIC 0.01MF 30K 16V
C120	1-162-113-00	CERAMIC 0.001MF 10K 50V
C121	1-162-113-00	CERAMIC 0.01MF 30K 16V
C201	1-162-113-00	CERAMIC 0.01MF 30K 16V
C202	1-123-611-00	ELECT 1MF 20K 50V
C203	1-162-113-00	CERAMIC 0.01MF 30K 16V
C204	1-162-113-00	CERAMIC 0.01MF 30K 16V
C205	1-162-102-00	CERAMIC 220PF 10K 50V
C206	1-123-661-00	ELECT 100MF 20K 6.3V
C207	1-123-379-00	ELECT 0.47MF 20K 50V
C208	1-123-379-00	ELECT 0.47MF 20K 50V
C209	1-123-611-00	ELECT 1MF 20K 50V
C210	1-123-611-00	ELECT 1MF 20K 50V
C211	1-162-113-00	CERAMIC 0.01MF 30K 16V
C212	1-123-307-00	ELECT 100MF 20K 6.3V
C213	1-162-113-00	CERAMIC 0.01MF 30K 16V
C214	1-161-494-00	CERAMIC 0.02MF 5K 25V
C215	1-162-113-00	CERAMIC 0.01MF 30K 16V
C216	1-162-113-00	CERAMIC 0.01MF 30K 16V
C217	1-162-113-00	CERAMIC 0.01MF 30K 16V
C218	1-162-113-00	CERAMIC 0.01MF 30K 16V
C219	1-162-113-00	CERAMIC 0.01MF 30K 16V
C220	1-162-113-00	CERAMIC 0.01MF 30K 16V
C221	1-162-113-00	CERAMIC 0.01MF 30K 16V
C222	1-162-113-00	CERAMIC 0.01MF 30K 16V
C223	1-162-113-00	CERAMIC 0.01MF 30K 16V
C224	1-123-617-00	ELECT 10MF 20K 16V
C225	1-162-113-00	CERAMIC 0.01MF 30K 16V
C226	1-162-113-00	CERAMIC 0.01MF 30K 16V
C227	1-123-330-00	ELECT 22MF 20K 16V

NOTE:

- The mechanical parts with no reference number in the exploded views are not supplied.
- Items marked "♦" are not stocked since they are seldom required for routine service. Some delay should be anticipated when ordering these items.
- Due to standardization, parts with part numbers (A-AAA-AAA-XX or A-AAA-AAA-X) may be different from those used in the set.
- If there are two or more same circuits in a set such as a stereophonic machine, only typical circuit parts may be indicated and capacitors and resistors in other same circuits may be omitted.

CAPACITORS:
MfJ, P, P, F, U, W

RESISTORS:
♦ All resistors are in ohms.
F : nonflammable

COILS:
MM : mH, UH : uH

SEMICONDUCTORS:
In each case, U : uV, for example:
UA--- : uA ; UA--- : uA ; UPC--- : uPC, UPD--- : uPD-

Ref.No.	Part No.	Description
C228	1-162-113-00	CERAMIC 0.01MF 30K 16V
C301	1-162-110-00	CERAMIC 0.001MF 10K 50V
C302	1-162-110-00	CERAMIC 0.001MF 10K 50V
C401	1-123-349-00	ELECT 1000MF 20K 25V
C402	1-123-349-00	ELECT 1000MF 20K 25V
D101	8-719-103-36	DIODE R06.8JN1
D102	8-719-103-36	DIODE R06.8JN1
D201	8-719-911-19	DIODE 153119
D202	8-719-911-19	DIODE 153119
D203	8-719-103-36	DIODE R06.8JN1
D205	8-719-103-36	DIODE R06.8JN1
D301	8-719-913-49	DIODE EA56S385
D303	8-719-913-47	DIODE EA56S385
D304	8-719-913-47	DIODE EA56S385
D305	8-719-913-47	DIODE EA56S385
D401A	8-719-200-02	DIODE 10E-2
D402A	8-719-200-02	DIODE 10E-2
D403A	8-719-200-02	DIODE 10E-2
D404A	8-719-200-02	DIODE 10E-2
D405	8-719-911-19	DIODE 153119
D406	8-719-911-19	DIODE 153119
D407	8-719-911-19	DIODE 153119
D408	8-719-911-19	DIODE 153119
D601	8-719-906-58	DIODE GL-5HD21
D602	8-719-906-58	DIODE GL-5HD21
D701	8-719-900-57	DIODE GL-5HVS
H101	8-719-800-17	DIODE THS102A
H102	8-719-800-17	DIODE THS102A
PH701	8-719-411-28	DIODE ON1128
PH702	8-719-918-74	DIODE GP-1504
IC101	8-759-201-58	IC TC914Z
IC102	8-759-600-02	IC MS2181
IC103	8-759-602-01	IC TAT56P
IC201	8-759-801-03	IC M52182-356
IC202	8-759-002-01	IC TAT56P
IC203	8-759-600-02	IC MS2181
J401	1-507-813-00	JACK, SYNCRO REMOTE CONNECTOR PIN 6P
J402	1-1560-317-00	JACK, SYNCRO REMOTE CONNECTOR PIN 6P
L1	1-422-162-11	COIL, ARM UPDOWN
L130	1-4068-579-00	MICRO INDUCTOR 220UH
L201	1-4068-908-00	MICRO INDUCTOR 470UH
M701	1-541-163-00	MOTOR, LOADING
M702	A-4608-291-A	MOTOR ASSY, ARM DRIVE

The components identified by shading and mark **♦** are critical for safety. Replace only with part number specified.

Ref.No.	Part No.	Description
O101	8-729-900-36	TRANSISTOR DTIC124E5
O102	8-729-900-36	TRANSISTOR DT1A2E5
O103	8-729-900-36	TRANSISTOR DTIC124E5
O104	8-729-245-83	TRANSISTOR 25C2458
O105	8-729-180-93	TRANSISTOR 25B089
O106	8-729-173-13	TRANSISTOR 25B315
Q201	8-729-900-36	TRANSISTOR DTIC124E5
Q202	8-729-245-83	TRANSISTOR 25C2458
Q204	8-729-900-63	TRANSISTOR DT1A2E5
Q205	8-729-900-80	TRANSISTOR DTIC114E5
Q206	8-729-900-80	TRANSISTOR DTIC114E5
Q207	8-729-245-83	TRANSISTOR 25C2458
Q208	8-729-245-83	TRANSISTOR 25C2458
Q209	8-729-900-80	TRANSISTOR DTIC114E5
Q210	8-729-245-83	TRANSISTOR 25C2458
Q211	8-729-900-36	TRANSISTOR DTIC124E5
Q212	8-729-268-02	TRANSISTOR 25B680
Q301	8-729-101-01	TRANSISTOR PH101
Q302	8-729-101-01	TRANSISTOR PH101
R101	1-247-807-00	CARBON 100 5% 1/6W
R102	1-247-887-00	CARBON 220K 5% 1/6W
R103	1-247-889-00	CARBON 270K 5% 1/6W
R104	1-247-889-00	CARBON 270K 5% 1/6W
R105	1-247-887-00	CARBON 220K 5% 1/6W
R106	1-247-885-00	CARBON 470K 5% 1/6W
R107	1-247-883-00	CARBON 150K 5% 1/6W
R108	1-247-892-00	CARBON 360K 5% 1/6W
R109	1-247-879-00	CARBON 100K 5% 1/6W
R110	1-247-857-00	CARBON 12K 5% 1/6W
R111	1-247-857-00	CARBON 12K 5% 1/6W
R112	1-247-839-00	CARBON 2.2K 5% 1/6W
R113	1-247-839-00	CARBON 2.2K 5% 1/6W
R114	1-247-839-00	CARBON 2.2K 5% 1/6W
R115	1-247-839-00	CARBON 2.2K 5% 1/6W
R116	1-247-839-00	CARBON 2.2K 5% 1/6W
R117	1-247-885-00	CARBON 180K 5% 1/6W
R118	1-247-885-00	CARBON 180K 5% 1/6W
R119	1-247-893-00	CARBON 390K 5% 1/6W
R120	1-247-893-00	CARBON 390K 5% 1/6W
R121	1-247-885-00	CARBON 180K 5% 1/6W
R122	1-247-885-00	CARBON 180K 5% 1/6W
R123	1-247-885-00	CARBON 180K 5% 1/6W
R124	1-247-767-00	CARBON 2.2 5% 1/6W
R125	1-247-801-00	CARBON 56 5% 1/6W
R126	1-247-801-00	CARBON 56 5% 1/6W
R127	1-247-811-00	CARBON 150 5% 1/6W
R128	1-247-811-00	CARBON 150 5% 1/6W

NOTE:

- The mechanical parts with no reference number in the exploded views are not supplied.
- Items marked "♦" are not stocked since they are seldom required for routine service. Some delay should be anticipated when ordering these items.
- Due to standardization, parts with part numbers (A-AAA-AAA-XX or A-AAA-AAA-X) may be different from those used in the set.
- If there are two or more same circuits in a set such as a stereophonic machine, only typical circuit parts may be indicated and capacitors and resistors in other same circuits may be omitted.

Ref.No.	Part No.	Description
R129	1-247-893-00	CARBON 390K 5% 1/6W
R130	1-247-893-00	CARBON 390K 5% 1/6W
R131	1-247-885-00	CARBON 470K 5% 1/6W
R132	1-247-885-00	CARBON 470K 5% 1/6W
R133	1-247-836-00	CARBON 1.6K 5% 1/6W
R134	1-247-837-00	CARBON 1.8K 5% 1/6W
R135	1-247-831-00	CARBON 1K 5% 1/6W
R136	1-247-831-00	CARBON 1K 5% 1/6W
R137	1-247-799-00	CARBON 47 5% 1/6W
R201	1-247-863-00	CARBON 22K 5% 1/6W
R202	1-247-863-00	CARBON 22K 5% 1/6W
R203	1-247-895-00	CARBON 10K 5% 1/6W
R204	1-247-855-00	CARBON 10K 5% 1/6W
R205	1-247-831-00	CARBON 1K 5% 1/6W
R206	1-247-831-00	CARBON 1K 5% 1/6W
R207	1-247-831-00	CARBON 1K 5% 1/6W
R208	1-247-831-00	CARBON 1K 5% 1/6W
R209	1-247-831-00	CARBON 1K 5% 1/6W
R210	1-247-831-00	CARBON 1K 5% 1/6W
R211	1-247-831-00	CARBON 1K 5% 1/6W
R212	1-247-831-00	CARBON 180 5% 1/6W
R213	1-247-821-00	CARBON 390 5% 1/6W
R214	1-247-821-00	CARBON 390 5% 1/6W
R215	1-247-821-00	CARBON 390 5% 1/6W
R216	1-247-821-00	CARBON 390 5% 1/6W
R217	1-247-807-00	CARBON 100 5% 1/6W
R218	1-247-831-00	CARBON 1K 5% 1/6W
R219	1-247-831-00	CARBON 1K 5% 1/6W
R220	1-247-863-00	CARBON 22K 5% 1/6W
R221	1-247-863-00	CARBON 22K 5% 1/6W
R222	1-247-871-00	CARBON 47K 5% 1/6W
R223	1-247-871-00	CARBON 47K 5% 1/6W
R224	1-247-863-00	CARBON 22K 5% 1/6W
R225	1-247-863-00	CARBON 22K 5% 1/6W
R226	1-247-863-00	CARBON 10K 5% 1/6W
R227	1-247-855-00	CARBON 10K 5% 1/6W
R228	1-247-851-00	CARBON 6.8K 5% 1/6W
R229	1-247-807-00	CARBON 100 5% 1/6W
R230	1-247-863-00	CARBON 22K 5% 1/6W
R231	1-247-863-00	CARBON 22K 5% 1/6W
R232	1-247-863-00	CARBON 22K 5% 1/6W
R233	1-247-863-00	CARBON 22K 5% 1/6W
R234	1-247-863-00	CARBON 22K 5% 1/6W
R235	1-247-863-00	CARBON 22K 5% 1/6W
R236	1-247-863-00	CARBON 22K 5% 1/6W
R237	1-247-847-00	CARBON 4.7K 5% 1/6W
R238	1-247-879-00	CARBON 100K 5% 1/6W

CAPACITORS:
MfJ, P, P, F, U, W

RESISTORS:
♦ All resistors are in ohms.
F : nonflammable

COILS:
MM : mH, UH : uH

SEMICONDUCTORS:
In each case, U : uV, for example:
UA--- : uA ; UA--- : uA ; UPC--- : uPC, UPD--- : uPD-

ELECTRICAL PARTS

Ref. No.	Part No.	Description			
R239	1-247-855-00	CARBON	10K	5%	1/6W
R240	1-247-863-00	CARBON	22K	5%	1/6W
R241	1-247-855-00	CARBON	10K	5%	1/6W
R242	1-247-855-00	CARBON	10K	5%	1/6W
R243	1-247-855-00	CARBON	10K	5%	1/6W
R244	1-247-855-00	CARBON	10K	5%	1/6W
R245	1-247-855-00	CARBON	10K	5%	1/6W
R246	1-247-855-00	CARBON	10K	5%	1/6W
R247	1-247-891-00	CARBON	330K	5%	1/6W
R248	1-247-889-00	CARBON	270K	5%	1/6W
R249	1-247-891-00	CARBON	330K	5%	1/6W
R250	1-247-889-00	CARBON	270K	5%	1/6W
R251	1-247-879-00	CARBON	100K	5%	1/6W
R252	1-247-878-00	CARBON	91K	5%	1/6W
R253	1-247-855-00	CARBON	10K	5%	1/6W
R254	1-247-855-00	CARBON	10K	5%	1/6W
R255	1-247-855-00	CARBON	10K	5%	1/6W
R256	1-247-855-00	CARBON	10K	5%	1/6W
R257	1-247-867-00	CARBON	33K	5%	1/6W
R258	1-247-887-00	CARBON	220K	5%	1/6W
R259	1-247-867-00	CARBON	33K	5%	1/6W
R260	1-247-879-00	CARBON	100K	5%	1/6W
R261	1-247-887-00	CARBON	220K	5%	1/6W
R262	1-247-769-00	CARBON	2.7	5%	1/6W
R263	1-247-769-00	CARBON	2.7	5%	1/6W
R264	1-247-815-00	CARBON	220	5%	1/6W
R265	1-247-847-00	CARBON	4.7K	5%	1/6W
R266	1-247-892-00	CARBON	360K	5%	1/6W
R267	1-247-859-00	CARBON	15K	5%	1/6W
R268	1-247-855-00	CARBON	10K	5%	1/6W
R269	1-247-879-00	CARBON	100K	5%	1/6W
R270	1-247-849-00	CARBON	5.6K	5%	1/6W
R271	1-247-819-00	CARBON	330	5%	1/6W
R272	1-247-867-00	CARBON	33K	5%	1/6W
R273	1-247-855-00	CARBON	10K	5%	1/6W
R274	1-247-855-00	CARBON	10K	5%	1/6W
R275	1-247-855-00	CARBON	10K	5%	1/6W
R276	1-247-775-00	CARBON	4.7	5%	1/6W
R278	1-247-881-00	CARBON	120K	5%	1/6W
R279	1-247-819-00	CARBON	330	5%	1/6W
R280	1-247-817-00	CARBON	270	5%	1/6W
R281	1-247-879-00	CARBON	100K	5%	1/6W
R282	1-247-879-00	CARBON	100K	5%	1/6W
R283	1-247-879-00	CARBON	100K	5%	1/6W
R284	1-247-879-00	CARBON	100K	5%	1/6W

ELECTRICAL PARTS

Ref. No.	Part No.	Description			
R285	1-247-879-00	CARBON	100K	5%	1/6W
R286	1-247-879-00	CARBON	100K	5%	1/6W
R287	1-247-801-00	CARBON	56	5%	1/6W
R288	1-247-801-00	CARBON	56	5%	1/6W
R289	1-247-879-00	CARBON	100K	5%	1/6W
R290	1-247-188-00	CARBON	4.7	5%	1/2W
R291	1-247-887-00	CARBON	220K	5%	1/6W
R401	1-247-845-00	CARBON	3.9K	5%	1/6W
R402	1-247-813-00	CARBON	180	5%	1/6W
R403	1-247-863-00	CARBON	22K	5%	1/6W
RV101	1-226-233-00	RES, ADJ, CARBON 1K			
RV102	1-226-233-00	RES, ADJ, CARBON 1K			
RV103	1-226-239-00	RES, ADJ, CARBON 100K			
RV104	1-226-239-00	RES, ADJ, CARBON 100K			
RY201	1-515-519-00	RELAY			
S201	1-554-088-00	SWITCH, KEY BOARD, OPEN/CLOSE			
S202	1-554-088-00	SWITCH, KEY BOARD, START/STOP			
S203	1-554-088-00	SWITCH, KEY BOARD, BACK			
S204	1-554-088-00	SWITCH, KEY BOARD, FWD			
S205	1-554-088-00	SWITCH, KEY BOARD, ARM LIFTER			
S206	1-554-088-00	SWITCH, KEY BOARD, REPEAT			
S207	1-554-088-00	SWITCH, KEY BOARD, SPEED			
S401	1-552-928-00	SWITCH, POWER			
S701	1-554-205-00	SWITCH, PUSH, OPEN			
S702	1-554-205-00	SWITCH, PUSH, CLOSE			
S703	1-554-921-11	SWITCH, MICRO, ARM REST			
S902	1-552-535-00	(E)...SWITCH, VOLTAGE SELECTOR			
T901	1-447-811-11	(US).....TRANSFORMER, POWER			
T901	1-447-812-11	(AEP,UK)...TRANSFORMER, POWER			
T901	1-447-813-11	(E).....TRANSFORMER, POWER			
X101	1-567-259-11	VIBRATOR, CRYSTAL			

NOTE:

- The mechanical parts with no reference number in the exploded views are not supplied.
- Items marked "▲" are not stocked since they are seldom required for routine service. Some delay should be anticipated when ordering these items.
- Due to standardization, parts with part numbers (▲-▲▲▲-▲▲▲-XX or ▲-▲▲▲-▲▲▲-X) may be different from those used in the set.
- If there are two or more same circuits in a set such as a stereophonic machine, only typical circuit parts may be indicated and capacitors and resistors in other same circuits may be omitted.

CAPACITORS:

MF: μ F, PF: μ PF.

RESISTORS

All resistors are in ohms.

F: nonflammable

COILS

MH: mH, UH: μ H

SEMICONDUCTORS

In each case, U: μ , for example:UA...: μ A...; UPA...: μ PA...; UPC...: μ PC,UPD...: μ PD...

The components identified by shading and mark ▲ are critical for safety. Replace only with part number specified.

